

SHOT	ELEV	WIND		CALL	SCORE
		L	R		
A					
B					
1					
2					
3					
4					
5					
6					
7					
8					
9					
0					
1					
2					
3					
4					
5					
TOTAL					

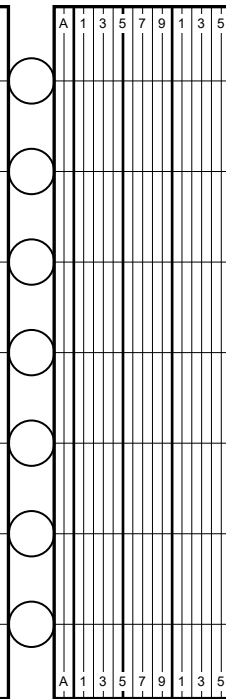
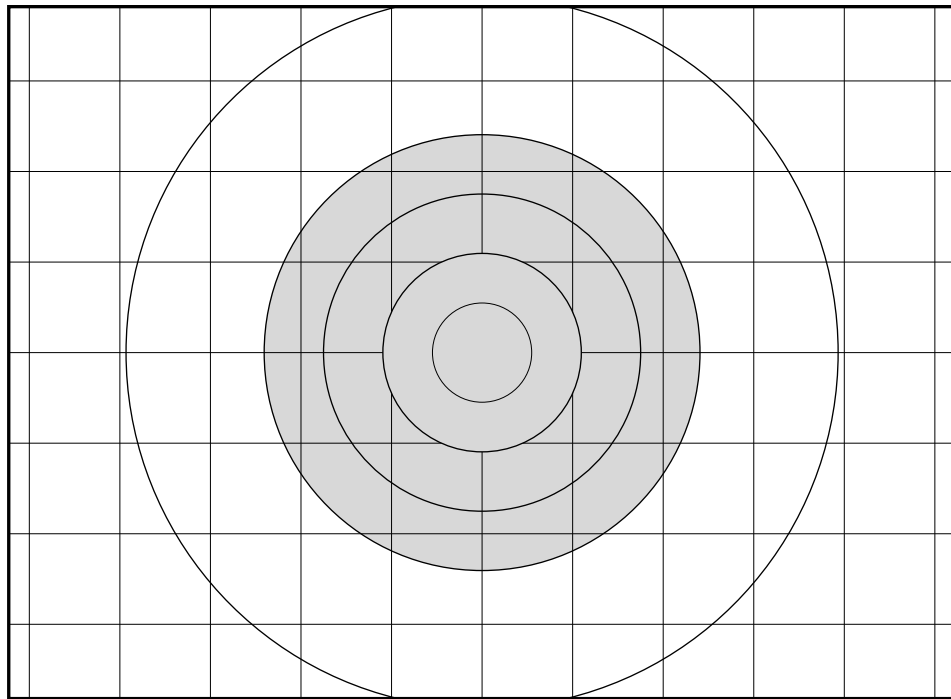
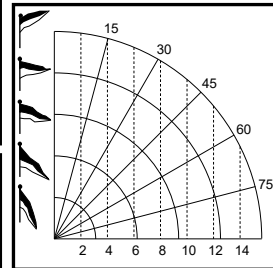
A	A
1	1
3	3
5	5
7	7
9	9
1	1
3	3
5	5

### 800 m ICFRA

EVENT	DATE	TIME
RANGE	TARGET	WEATHER
RIFLE	AMMN	FORESIGHT
		REARSIGHT

NOTES

© T. Steele 2025



SHOT	ELEV	WIND		CALL	SCORE
		L	R		
A					
B					
1					
2					
3					
4					
5					
6					
7					
8					
9					
0					
1					
2					
3					
4					
5					
TOTAL					

A	A
1	1
3	3
5	5
7	7
9	9
1	1
3	3
5	5

### 800 m ICFRA

EVENT	DATE	TIME
RANGE	TARGET	WEATHER
RIFLE	AMMN	FORESIGHT
		REARSIGHT

NOTES

© T. Steele 2025

