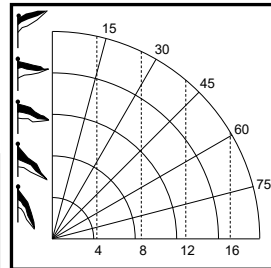


A	1	3	5	7	9	1	3	5
A	1	3	5	7	9	1	3	5

SHOT	ELEV	WIND		CALL	SCORE
		L	R		
A					
B					
1					
2					
3					
4					
5					
6					
7					
8					
9					
0					
1					
2					
3					
4					
5					
TOTAL					

A										A
1										1
3										3
5										5
7										7
9										9
1										1
3										3
5										5

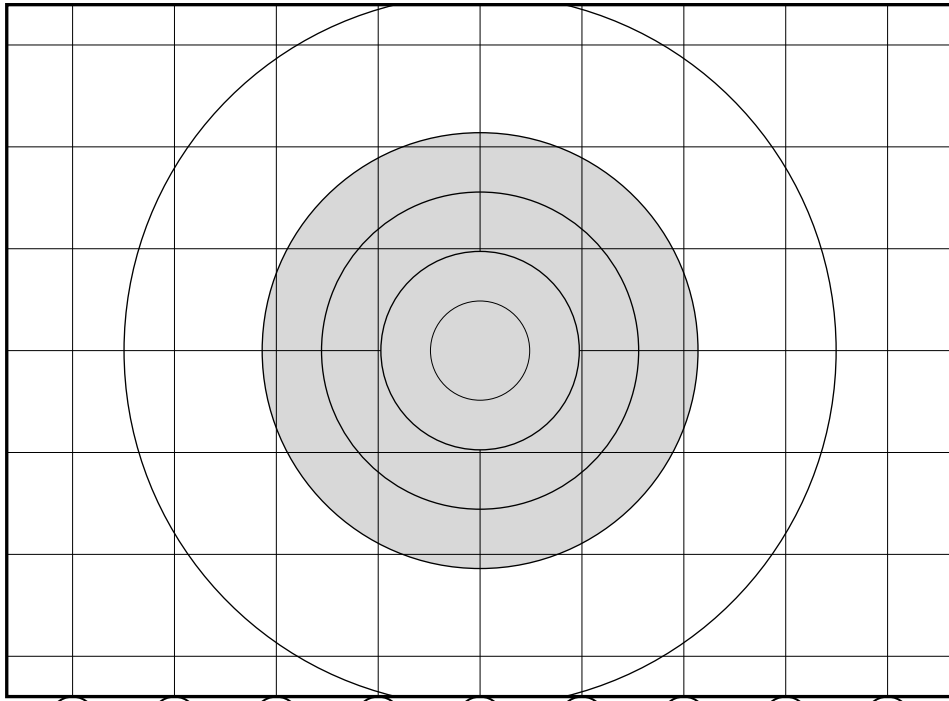
900 m ICFRA



EVENT		DATE	TIME
RANGE	TARGET	WEATHER	LIGHT
RIFLE	AMMN	FORESIGHT	REARSIGHT

NOTES

© T. Steele 2025

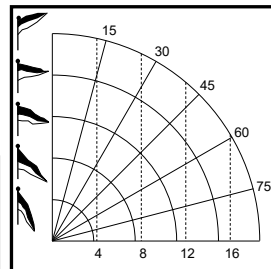


A	1	3	5	7	9	1	3	5
A	1	3	5	7	9	1	3	5

SHOT	ELEV	WIND		CALL	SCORE
		L	R		
A					
B					
1					
2					
3					
4					
5					
6					
7					
8					
9					
0					
1					
2					
3					
4					
5					
TOTAL					

A										A
1										1
3										3
5										5
7										7
9										9
1										1
3										3
5										5

900 m ICFRA



EVENT		DATE	TIME
RANGE	TARGET	WEATHER	LIGHT
RIFLE	AMMN	FORESIGHT	REARSIGHT

NOTES

© T. Steele 2025